

# Boston Gear Stainless Steel Motors

Value Engineered for Washdown  
Performance

**Designed to provide maximum corrosion  
resistance in caustic washdown  
environments.**

## Exterior Construction

300 Series stainless steel housing, end bells,  
output shafts and conduit box

## Interior Features

- IP69K sealed
- Meets current NEMA MG-1 efficiency standards
- Inverter Duty
- Class F insulation
- Class "B" rise at 1.15 service factor
- Epoxy coated windings
- Welded conduit box
- Laser marked nameplate
- Water tight cable glands
- All connections are O-ring sealed

The ultimate  
combination of  
700 Series and  
SS motors for  
elite washdown  
performance.



## Stainless Steel AC Motors

Example: **HUT-5/8 SS**



**H**

**U**

**T - 5/8**

**SS**

HP	
E - 1/3	K - 2
F - 1/2	L - 3
G - 3/4	M - 5
H - 1	N - 7.5
J - 1-1/2	P - 10

Voltage
U - 230/460-3-60

Enclosure
T - TENV
TF - TEFC

Construction
SS - Stainless Steel

Flange
5/8 - 56C for 1HP only
(blank) - All Other Conditions

## Performance Data (RPM: 1760, Voltage AC: 208-230/460-3-60)

Part #	HP	Type	Frame	Efficiency*	Full Load Amps (230/460)	Weight (lbs.)
EUTSS	0.33	TENV	56C	82.5%	1.07/0.55	26.2
FUTSS	0.5	TENV	56C	82.5%	1.56/0.78	33.1
GUTSS	0.75	TENV	56C	82.5%	2.26/1.13	33.3
HUT-5/8SS	1	TENV	56C	82.5%	2.98/1.5	38.4
HUTF-5/8SS	1	TEFC	56C	84.0%	2.98/1.5	39.2
HUTSS	1	TENV	143TC	85.5%	2.98/1.5	38.4
HUTFSS	1	TEFC	143TC	85.5%	2.98/1.5	38.6
JUTFSS	1.5	TEFC	145TC	86.5%	4.5/2.25	44.5
KUTFSS	2	TEFC	145TC	86.5%	5.63/2.82	48.3
LUTFSS	3	TEFC	182TC	89.5%	7.66/3.83	103.6
MUTFSS	5	TEFC	184TC	89.5%	12.5/6.3	119.0
NUTFSS	7.5	TEFC	213TC	91.0%	18.2/9.09	179.2
PUTFSS	10	TEFC	215TC	91.7%	24.27/12.13	201.1

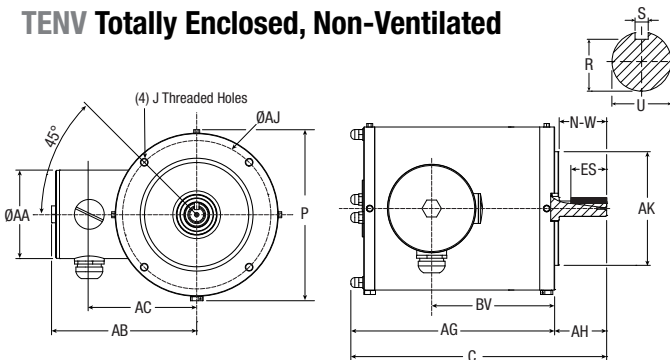
## NEMA Frame Dimensions in inches

Boston Gear Bore Code	NEMA Frame	U	AK	AJ	J
B5	56C	.625	4.500	5.875	3/8-16
B7	143TC 145TC	.875	4.500	5.875	3/8-16
B9	182TC 184TC	1.125	8.500	7.250	1/2-13
B11	213TC 215TC	1.375	8.500	7.250	1/2-13

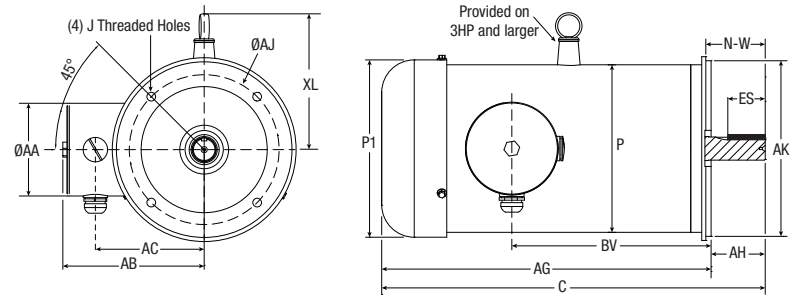
Ratings are for continuous duty at Max Ambient Temperature of 40°C  
 TENV = Totally enclosed, non-ventilated  
 TEFC = Totally enclosed, fan-cooled

Motors are rated with a 1.15 Service Factor at 60 Hz  
 Motors can be run at 50Hz with a 1.0 Service Factor  
 \*Efficiency meets or exceeds NEMA MG 1-2016

## TENV Totally Enclosed, Non-Ventilated



## TEFC Totally Enclosed, Fan-Cooled



End bell shown is 180TC and larger

## Motor Dimensions in inches

Catalog No.	Mounting				Conduit Box (Conduit box threads M25 X 1.5)					
	C	P	P1	AG	AA Dia.	AB	AC	BV	XL	
EUTSS	10.11	6.45	—	8.05	3.48	5.79	4.29	4.45	—	
FUTSS	10.11	6.45	—	8.05	3.48	5.79	4.29	4.45	—	
GUTSS	10.11	6.45	—	8.05	3.48	5.79	4.29	4.45	—	
HUT-5/8SS	11.29	6.45	—	9.23	3.48	5.79	4.29	5.63	—	
HUTF-5/8SS	12.87	6.45	6.93	10.81	3.48	5.79	4.29	4.45	—	
HUTSS	11.36	6.45	—	9.23	3.48	5.79	4.29	4.45	—	
HUTFSS	12.95	6.45	6.93	10.84	3.48	5.79	4.29	5.63	—	
JUTFSS	13.75	6.45	6.93	11.62	3.48	5.79	4.29	6.42	—	
KUTFSS	13.75	6.45	6.93	11.62	3.48	5.79	4.29	6.42	—	
LUTFSS	17.2	8.11	8.58	14.58	4.47	6.85	5.24	8.07	6.6	
MUTFSS	18.58	8.11	8.58	15.96	4.47	6.85	5.24	9.45	6.6	
NUTFSS	19.45	9.6	10.08	16.33	4.47	7.56	6.1	9.61	7.4	
PUTFSS	20.44	9.6	10.08	17.32	4.47	7.56	6.1	9.61	7.4	



Stainless conduit box thread adaptor  
 25mm X 1.5 to 1/2" NPT available as  
 Boston Gear item J22770