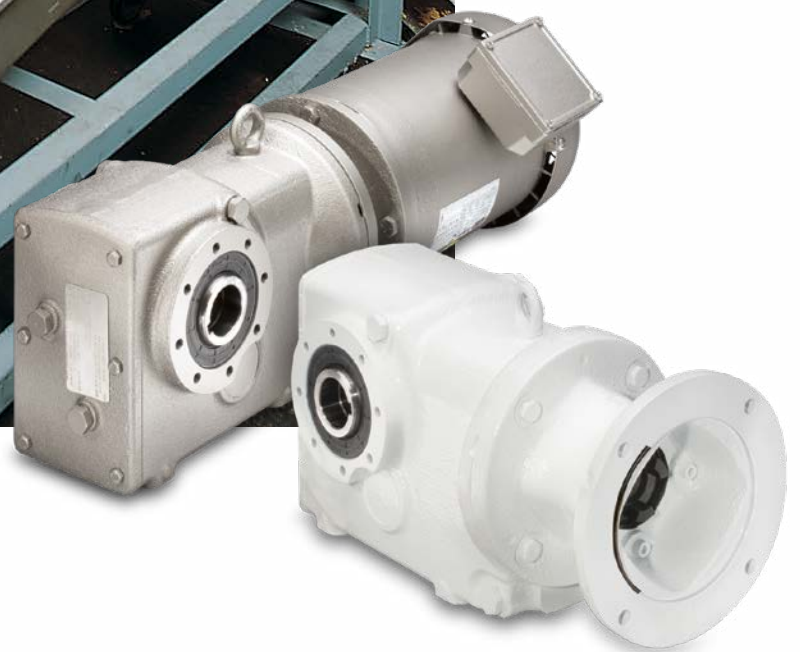




**Series 2000  
Right Angle  
Helical Bevel  
Gear Drives &  
Gear Motors**



## INTRODUCING NEW GEARING SOLUTIONS FROM **BOSTON GEAR**

This well recognized Altra Industrial Motion brand has utilized its gearing expertise to offer the innovative Series 2000 product line. Boston Gear products have a reputation for superior engineering, quality manufacturing and reliable performance. As an industry leader, we have extensive experience and application knowledge in industries including material handling, food processing, packaging, bottling, and metals.

**For more information about Series 2000 Gear Drives or Gear Motors call: 888-243-3447**

## **SERIES 2000** RIGHT ANGLE HELICAL BEVEL GEAR DRIVES AND GEAR MOTORS

*Loaded with unique performance and convenience features to meet a wide variety of application requirements.*

**We Asked Oems, End Users And Distributors What Mattered Most When It Came To Gear Motor Design. Their Responses Helped Guide Us In The Development Of The New Series 2000 Gear Motor Product Line.**

### **Series 2000 Advantages**

- **Altra's Competitive Displacement Product Offering**
  - Designed with critical dimensions equivalent to select competitive gear drives
- **Enhanced Performance**
  - High torque with ratings in accordance with AGMA standards provide long life and potential downsizing
  - Tested to an effective 25,000 hours. Proven ratings vs. theoretical
- **Design Flexibility**
  - Large assortment of shaft options for more application flexibility
  - Variety of optional hollow bore sizes available for quick delivery
  - Variety of input styles including NEMA and IEC C-FACE motor mounts
- **Fast and Easy Installation**
  - Unique mounting registers for quick, precision alignment
  - Keyless tapered bushing provides quick and secure installation of drive shaft
- **Low Maintenance**
  - Unique rounded surfaces allow for easier cleaning
  - Premium acrylic paint emulsion pigmented with alloy 316 stainless steel flake provides high corrosion & abrasion resistance for long term durability
  - Integrated O-rings at mounting interfaces provide high leak and ingress resistance
  - Automatic entrapment of wear debris for longer life
  - Large diameter oil fill/drain holes for fast oil changes
  - Synthetic lubrication extends gear life

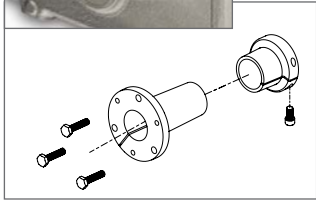
## **SERIES 2000** GEAR DRIVES AND GEAR MOTORS ARE DIMENSIONAL DROP-IN REPLACEMENTS FOR SEW EURODRIVE™ KA SERIES PRODUCTS

### **Application Examples:**

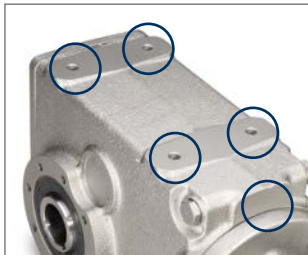
- |                                    |   |                  |
|------------------------------------|---|------------------|
| - Cheese slicers                   | - Produce drying bins (tumblers)          | - Unit conveyors |
| - Dairy and bakery mixers          | - Meat forming (links, patties, grinding) | - Palletizers    |
| - Spiral heating and cooling racks | - Meat carcass processing                 |                  |
| - Potato chip salter               | - Bottling lines                          |                  |

**Call 1-888-243-3447 or visit [www.helical2000.com](http://www.helical2000.com)**

## C-FACE AND PROJECTING INPUT SHAFT



Optional unique keyless tapered bushing provides longer life and faster installation  
Stainless steel shafts also available



Unique mounting registers allow for quick precision alignment



Unique rounded housing surfaces for easier cleaning

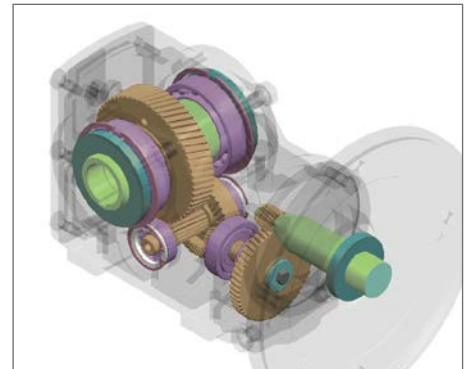
Unique Two-Tuff premium acrylic paint (standard)  
Washdown epoxy paint (optional)

High-efficiency synthetic oil (Standard)

Larger diameter oil fill/drain holes for faster oil changes

NEMA or IEC C-Face motor input with 3-Jaw coupling

Integrated O-rings



### Energy Efficient Design

With efficiency of 98% per gear mesh, Series 2000 helical bevel reducers are ideal for use in applications with:

- continuous or high duty cycle operations
- high-ratio reduction
- limited access applications where long life is a necessity



Projecting input shaft and stainless steel shafts available

## INTEGRAL GEAR MOTORS



Class 1, Div 2, Groups B/C/D/T3C rated enclosure

Motors are CE, CSA and UR certified

Motors meet or exceed EISA 2007 efficiency requirements

Highest quality bearings ensure long life

Specially designed fans and fan covers provide quieter operation

Optional output flange available on C-face or integral design models

Gear motors are Inverter rated for use with a VFD (Variable Frequency Drive)

## Boston Gear Facilities

### North America

#### USA

701 Carrier Drive  
Charlotte, NC 28216 - USA  
704-588-5610

*Enclosed and Open Gearing,  
Electrical and Mechanical  
P.T. Components*

#### Customer Service

1-800-825-6544

#### Application Support

1-800-816-5608

## The Brands of Altra Industrial Motion

### Couplings

**Ameridrives**  
[www.ameridrives.com](http://www.ameridrives.com)

**Bibby Turboflex**  
[www.bibbyturboflex.com](http://www.bibbyturboflex.com)

**Guardian Couplings**  
[www.guardiancouplings.com](http://www.guardiancouplings.com)

**Huco**  
[www.huco.com](http://www.huco.com)

**Lamiflex Couplings**  
[www.lamiflexcouplings.com](http://www.lamiflexcouplings.com)

**Stromag**  
[www.stromag.com](http://www.stromag.com)

**TB Wood's**  
[www.tbwoods.com](http://www.tbwoods.com)

### Gear Cam Limit Switches

**Stromag**  
[www.stromag.com](http://www.stromag.com)

### Electric Clutches & Brakes

**Inertia Dynamics**  
[www.idicb.com](http://www.idicb.com)

**Matrix**  
[www.matrix-international.com](http://www.matrix-international.com)

**Stromag**  
[www.stromag.com](http://www.stromag.com)

**Warner Electric**  
[www.warnerelectric.com](http://www.warnerelectric.com)

### Linear Products

**Warner Linear**  
[www.warnerlinear.com](http://www.warnerlinear.com)

### Engineered Bearing Assemblies

**Kilian**  
[www.kilianbearings.com](http://www.kilianbearings.com)

### Heavy Duty Clutches & Brakes

**Industrial Clutch**  
[www.indclutch.com](http://www.indclutch.com)

**Twiflex**  
[www.twiflex.com](http://www.twiflex.com)

**Stromag**  
[www.stromag.com](http://www.stromag.com)

**Svendborg Brakes**  
[www.svendborg-brakes.com](http://www.svendborg-brakes.com)

**Wichita Clutch**  
[www.wichitaclutch.com](http://www.wichitaclutch.com)

### Belted Drives

**TB Wood's**  
[www.tbwoods.com](http://www.tbwoods.com)

### Gearing

**Bauer Gear Motor**  
[www.bauergears.com](http://www.bauergears.com)

**Boston Gear**  
[www.bostongear.com](http://www.bostongear.com)

**Delroyd Worm Gear**  
[www.delroyd.com](http://www.delroyd.com)

**Nuttall Gear**  
[www.nuttallgear.com](http://www.nuttallgear.com)

### Overrunning Clutches

**Formsprag Clutch**  
[www.formsprag.com](http://www.formsprag.com)

**Marland Clutch**  
[www.marland.com](http://www.marland.com)

**Stieber**  
[www.stieberclutch.com](http://www.stieberclutch.com)

Neither the accuracy nor completeness of the information contained in this publication is guaranteed by the company and may be subject to change in its sole discretion. The operating and performance characteristics of these products may vary depending on the application, installation, operating conditions and environmental factors. The company's terms and conditions of sale can be viewed at <http://www.altramotion.com/terms-and-conditions/sales-terms-and-conditions>. These terms and conditions apply to any person who may buy, acquire or use a product referred to herein, including any person who buys from a licensed distributor of these branded products.

©2018 by Boston Gear LLC. All rights reserved. All trademarks in this publication are the sole and exclusive property of Boston Gear LLC or one of its affiliated companies.



[www.bostongear.com](http://www.bostongear.com)

P-7204-BG 6/18