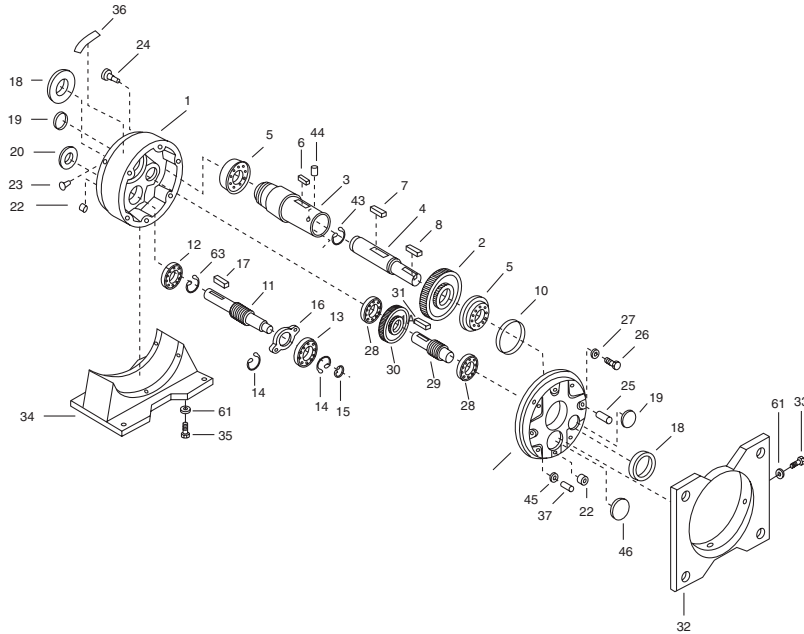
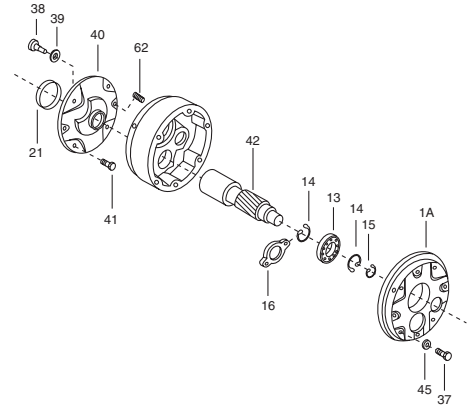


200 SERIES PARTS LIST — SINGLE AND DOUBLE REDUCTION

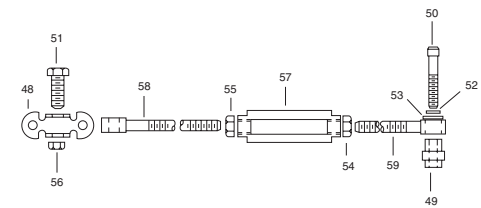
MODELS 221–247



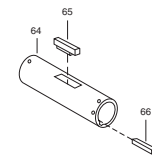
MODELS F221–F247



REACTION ARM KIT



BUSHING KIT



| ITEM NO. | DESCRIPTION OF PART | ITEM NO. | DESCRIPTION OF PART | ITEM NO. | DESCRIPTION OF PART |
|----------|--------------------------------|----------|-----------------------------------|----------|------------------------------|
| 1 | Housing, Body | 22 | Pipe Plug | 44 | Hex. Soc. Setscrew |
| 1A | Housing, Cover | 23 | Plastic Plug | 45 | Rolled Washer (For 226-247) |
| 2 | Helical Gear (Output) | 24 | Vented Oil Filler | 46 | Bore Plug |
| 3 | Hollow Output Shaft | 25 | Dowel Pin | 47 | N/A |
| 4 | Solid Output Shaft, Insert | 26 | Soc. Head Capscrew | 48 | Clevis |
| 4A | N/A | 27 | Lockwasher | 49 | Bushing |
| 5 | Ball Bearing | 28 | Ball Bearing | 50 | Soc. Head Capscrew |
| 6 | Key, Output Gear | 29 | Interm. Helical Pinion | 51 | Hex Head Capscrew |
| 7 | Key | 30 | Interm. Helical Gear | 52 | Lockwasher |
| 8 | Key | 31 | Key, Interm. Gear | 53 | Flatwasher |
| 9 | N/A | 32 | Vertical Base | 54 | Nut |
| 10 | Shim | 33 | Soc. Head Capscrew | 55 | Nut, Left Hand |
| 11 | Input Helical Pinion | 34 | Horizontal Base | 56 | Nut, Lock |
| 12 | Ball Bearing | 35 | Soc. Head Capscrew | 57 | Turnbuckle |
| 13 | Ball Bearing | 36 | Nameplate | 58 | Eyebolt, Rod End (Left Hand) |
| 14 | Retaining Ring (For 221 Only) | 37 | Button Hd. Capscrew (For 226-247) | 59 | Eyebolt, Rod End |
| 15 | Retaining Ring | 38 | Soc. Head Capscrew | 61 | Lockwasher |
| 16 | Bearing Retainer (For 226-247) | 39 | Lockwasher | 62 | Hex. Soc. Setscrew |
| 17 | Key | 40 | Motor Flange | 63 | Retaining Ring |
| 18 | Oil Seal | 41 | Hex Head Capscrew | 64 | Bushing |
| 19 | Bore Plug | 42 | Motor Shaft (Input) | 65 | Key |
| 20 | Oil Seal | 43 | Retaining Ring | 66 | Key |
| 21 | Oil Seal | | | | |

PART ORDERING INFORMATION: Be sure to provide complete Boston Gear catalog number from speed reducer nameplate, along with part description and number.

BOSTON GEAR®