

PLANETARY RATIO MULTIPLIER

AN ECONOMICAL ALTERNATIVE TO A MULTI-REDUCTION REDUCER

THE MOTOR MULTIPLIER®

MULTIPLIES YOUR GEAR REDUCER RATIO 5 TIMES

MULTIPLIES YOUR SAVINGS WITH EFFICIENT PLANETARY GEARING



PLANETARY RATIO MULTIPLIER



WITH OPTIONAL BASE KIT



WITH 200 SERIES
HELICAL REDUCER



WITH 700 SERIES WORM GEAR
SPEED REDUCER

FEATURES

- MULTIPLIES MOTOR TORQUE
- RUGGED ALUMINUM HOUSING
- 5/8" AND 7/8" SHAFT SIZES (OUTPUT)
- 3/4 MAXIMUM INPUT HORSEPOWER (NEMA 56C FACE MOUNTED MOTORS)
- EFFICIENT 5 TO 1 RATIO
- EASY TO INSTALL
- LUBRICATED FOR LIFE

APPLICATIONS

- PROVIDES ADDITIONAL RATIOS FOR INVENTORY FLEXIBILITY
- USE WITH EXISTING GEARBOX TO CREATE DOUBLE REDUCTION RATIOS OR ALONE AS A 5 TO 1 REDUCER
- COMPATIBLE WITH MOST WORM OR HELICAL GEAR FLANGED REDUCERS, NEMA 56C DESIGN

SECTION CONTENTS

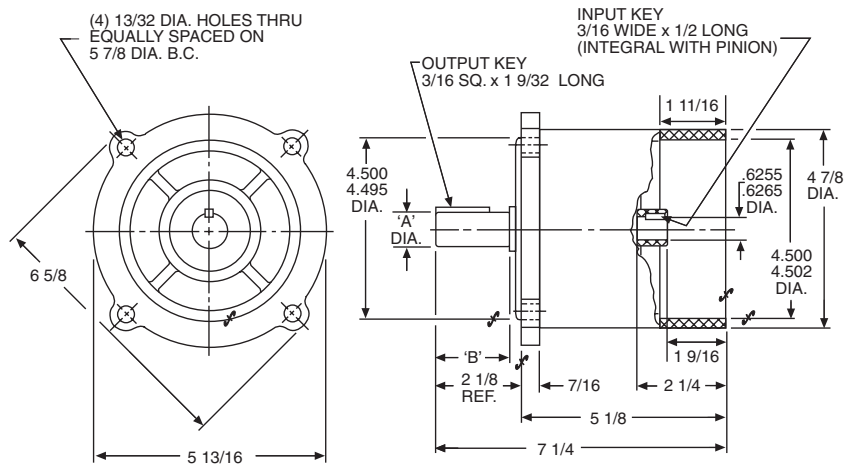
DESCRIPTION.....	315
CATALOG NUMBERS/ORDERING INFORMATION.....	316
DIMENSIONS.....	316
TORQUE SELECTION/RATINGS	317-318

PLANETARY RATIO MULTIPLIER

ORDER BY CATALOG NUMBER

OUTPUT RPM	RATIO	MOTOR HP (1750 RPM INPUT)	OUTPUT		MULTIPLIER CATALOG NUMBER
			HP	TORQUE (LB. INS)	
350	5	1/6	.14	25	FSP-5 OR FSP-5A
		1/4	.21	38	
		1/3	.29	53	
		1/2	.45	81	
		3/4	.69	124	

DIMENSIONS

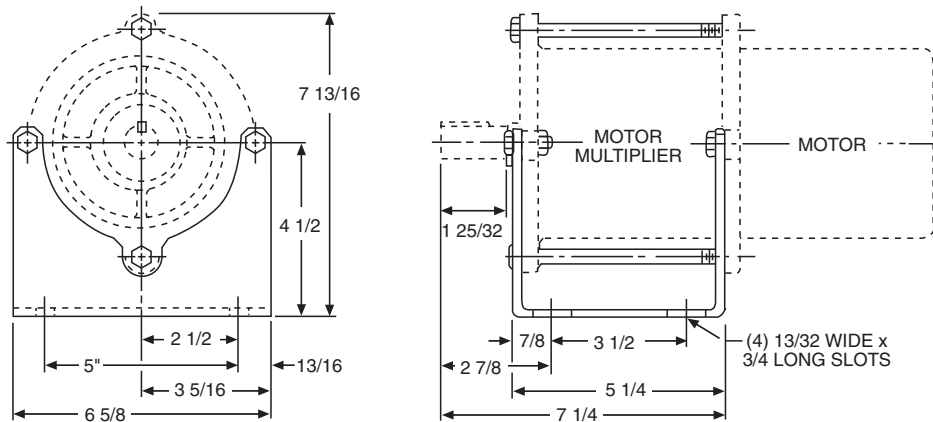


ALL DIMENSIONS IN INCHES

ITEM CODE	CATALOG NUMBER	A SHAFT DIA.	B SHAFT LENGTH
60634	FSP-5A	.6245	1-15/16
		.6240	
60632	FSP-5	.8745	2
		.8740	

MOTOR MULTIPLIER BASE KIT

CATALOG NUMBER - 47849



Output shaft may rotate in either direction. Rotation will be the same as the rotation of the motor shaft.

PLANETARY RATIO MULTIPLIER

TORQUE SELECTION AND RATINGS FOR MOTOR MULTIPLIER AND SINGLE REDUCTION WORM GEAR FLANGED REDUCER COMBINATIONS

OUTPUT RPM	TOTAL RATIO	MOTOR HP 1750 RPM	FLANGED REDUCER OUTPUT RATING						MOTOR MULTIPLIER CATALOG NUMBER	BASIC FLANGED REDUCER SIZE AND RATIO
			S.F. 1.0		S. F. 1.25		S. F. 1.75			
			HP	TORQUE (LB. INS.)	HP	TORQUE (LB. INS.)	HP	TORQUE (LB. INS.)		
70	25	1/6	.09	78	.09	78	.09	78	FSP-5A	F713-5-B5
		1/4	.16	140	.16	140	.12	106	FSP-5A	F713-5-B5
		1/3	.23	207	.16	142	.12	106	FSP-5A	F713-5-B5
		1/3	.23	207	.23	204	.17	153	FSP-5A	F715-5-B5
		1/2	.34	306	.23	204	.17	153	FSP-5	F715-5-B7
		1/2	.34	306	.23	204	.17	153	FSP-5A	F715-5-B5
		1/2	.38	342	.29	257	.21	193	FSP-5	F718-5-B7
		1/2	.38	342	.38	342	.31	276	FSP-5	F721-5-B7
		3/4	.43	386	.29	257	.21	193	FSP-5	F718-5-B7
		3/4	.61	552	.41	368	.31	276	FSP-5	F721-5-B7
35	50	1/6	.08	152	.08	15	.07	133	FSP-5A	F713-10-B5
		1/4	.15	266	.10	177	.07	133	FSP-5A	F713-10-B5
		1/4	.15	266	.14	255	.11	192	FSP-5A	F715-10-B5
		1/3	.21	373	.14	255	.11	192	FSP-5A	F715-10-B5
		1/3	.22	396	.20	365	.15	274	FSP-5	F718-10-B7
		1/2	.30	548	.20	365	.15	274	FSP-5	F718-10-B7
		1/2	.37	662	.32	581	.24	436	FSP-5	F721-10-B7
		3/4	.48	872	.32	581	.24	436	FSP-5	F721-10-B7
		3/4	.59	1058	.39	705	.29	529	FSP-5	F724-10-B7
		3/4	.59	1058	.39	705	.29	529	FSP-5	F726-10-B7
23.3	75	1/6	.08	217	.07	183	.05	137	FSP-5A	F713-15-B5
		1/6	.08	217	.08	217	.07	198	FSP-5A	F715-15-B5
		1/4	.10	274	.07	183	.05	137	FSP-5A	F713-15-B5
		1/4	.15	395	.10	263	.07	198	FSP-5A	F715-15-B5
		1/4	.15	395	.14	376	.10	282	FSP-5A	F718-15-B5
		1/3	.21	564	.14	376	.10	282	FSP-5A	F718-15-B5
		1/3	.21	572	.22	599	.17	450	FSP-5A	F721-15-B5
		1/2	.33	898	.22	599	.17	450	FSP-5A	F721-15-B5
		1/2	.34	927	.33	889	.25	667	FSP-5	F724-15-B7
		3/4	.49	1334	.33	889	.25	667	FSP-5	F724-15-B7
		3/4	.57	1542	.38	1028	.29	771	FSP-5	F726-15-B7
17.5	100	1/6	.08	283	.06	207	.04	156	FSP-5A	F713-20-B5
		1/6	.08	283	.08	283	.06	227	FSP-5A	F715-20-B5
		1/4	.13	454	.08	303	.06	227	FSP-5A	F715-20-B5
		1/4	.14	493	.12	426	.09	320	FSP-5A	F718-20-B5
		1/3	.18	639	.12	426	.09	320	FSP-5A	F718-20-B5
		1/3	.21	748	.17	628	.13	471	FSP-5A	F721-20-B5
		1/2	.34	1238	.25	896	.19	672	FSP-5	F724-20-B7
		1/2	.34	1238	.33	1191	.25	893	FSP-5	F726-20-B7
		3/4	.56	1786	.33	1191	.25	893	FSP-5	F726-20-B7
		3/4	.59	1893	.37	1262	.28	945	FSP-5	F730-20-B7
		3/4	.56	2000	.37	1333	.28	1000	FSP-5	F732-20-B7

PLANETARY RATIO MULTIPLIER

TORQUE SELECTION AND RATINGS FOR MOTOR MULTIPLIER AND SINGLE REDUCTION WORM GEAR FLANGED REDUCER COMBINATIONS

OUTPUT RPM	TOTAL RATIO	MOTOR HP 1750 RPM	FLANGED REDUCER OUTPUT RATING						MOTOR MULTIPLIER CATALOG NUMBER	BASIC FLANGED REDUCER SIZE AND RATIO
			S.F. 1.0		S. F. 1.25		S. F. 1.75			
			HP	TORQUE (LB. INS.)	HP	TORQUE (LB. INS.)	HP	TORQUE (LB. INS.)		
11.7	150	1/6	.06	320	.039	213	.029	160	FSP-5A	F713-30-B5
		1/6	.07	398	.06	312	.043	234	FSP-5A	F715-30-B5
		1/4	.12	660	.08	440	.06	330	FSP-5A	F718-30-B5
		1/4	.13	714	.12	628	.09	471	FSP-5A	F721-30-B5
		1/3	.18	972	.12	648	.09	486	FSP-5A	F721-30-B5
		1/3	.20	1056	.17	924	.13	693	FSP-5A	F724-30-B5
		1/2	.32	1733	.23	1227	.17	920	FSP-5	F726-30-B7
		3/4	.52	2281	.28	1520	.21	1140	FSP-5	F730-30-B7
		3/4	.52	2830	.35	1887	.26	1415	FSP-5	F732-30-B7
8.8	200	1/6	.06	454	.042	303	.031	227	FSP-5A	F715-40-B5
		1/6	.07	500	.06	426	.044	319	FSP-5A	F718-40-B5
		1/4	.12	893	.09	628	.07	471	FSP-5A	F721-40-B5
		1/4	.12	893	.12	893	.09	672	FSP-5A	F724-40-B5
		1/3	.18	1320	.12	896	.09	672	FSP-5A	F724-40-B5
		1/3	.18	1320	.17	1191	.12	893	FSP-5A	F726-40-B5
		1/2	.25	1786	.17	1191	.12	893	FSP-5	F726-40-B7
		1/2	.25	1786	.17	1191	.12	893	FSP-5A	F726-40-B5
		1/2	.28	1984	.18	1322	.14	992	FSP-5A	F730-40-B5
		1/2	.30	2183	.26	1887	.20	1415	FSP-5	F732-40-B7
		3/4	.37	2667	.25	1778	.19	1332	FSP-5	F730-40-B7
		3/4	.49	3543	.26	1887	.20	1415	FSP-5	F732-40-B7
7	250	1/6	.06	556	.041	371	.031	278	FSP-5A	F718-50-B5
		1/6	.07	590	.06	584	.05	438	FSP-5A	F721-50-B5
		1/4	.10	876	.06	584	.05	438	FSP-5A	F721-50-B5
		1/4	.12	1054	.10	865	.07	649	FSP-5A	F724-50-B5
		1/4	.12	848	.12	1054	.09	848	FSP-5A	F726-50-B5
		1/3	.14	1298	.10	865	.07	649	FSP-5A	F724-50-B5
		1/3	.17	1549	.13	1130	.09	848	FSP-5A	F726-50-B5
		1/2	.22	2060	.15	1373	.11	1030	FSP-5A	F730-50-B5
		3/4	.22	2313	.17	1542	.15	1156	FSP5	F730-50-B7
		1/2	.28	2566	.27	2459	.20	1844	FSP-5	F732-50-B7
		3/4	.41	3688	.27	2459	.20	1844	FSP-5	F732-50-B7
		3/4	.46	4165	.31	2777	.23	2082	FSP-5	F738-50-B7
5.8	300	1/6	.049	534	.032	356	.024	267	FSP-5A	F721-60-B5
		1/6	.06	656	.05	560	.039	420	FSP-5A	F721-60-B5
		1/4	.08	841	.05	560	.039	420	FSP-5A	F721-60-B5
		1/4	.11	1177	.08	831	.06	623	FSP-5A	F724-60-B5
		1/4	.11	1177	.10	1085	.08	814	FSP-5A	F726-60-B5
		1/3	.15	1638	.10	1092	.08	819	FSP-5A	F726-60-B5
		1/2	.20	2248	.14	1500	.10	1125	FSP-5A	F730-60-B5
		1/2	.27	2858	.22	2360	.16	1770	FSP-5	F732-60-B7
		3/4	.43	4646	.29	3097	.22	2323	FSP-5	F738-60-B7