

Stainless Steel Washdown Duty Reducers

Standard Features

- 316 stainless steel housings, bearing carriers and flanges to withstand hostile environments
- 304 stainless steel output shaft
- All stainless steel hardware
- "O" ring sealed output bearing carriers
- Double lip, shaft seals for superior performance in tough conditions
- PosiVent™ is a specially designed internal pressure equalization system which allows the gearbox to operate in all environments without the use of conventional pressure vents. The unique design comes complete with Mobil SHC634 lubrication pre-filled for all mounting positions and long maintenance-free operation.



Applications

- Washdown
- Food Processing
- Chemical Processing
- Pharmaceutical

To find out how to incorporate a stainless steel reducer into your next project or for the name and number of your nearest distributor,

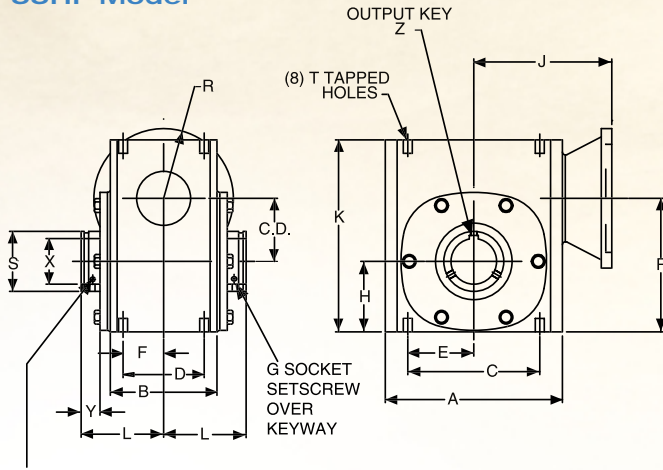
please call **1-888-999-9860**

In Canada: **1-800-668-1161**



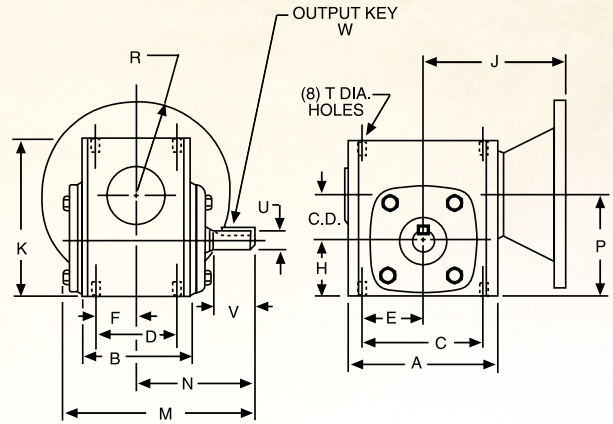
www.bostongear.com

SSHF Model



(2) 1/4-20 SOCKET SETSCREWS 135° APART BOTH SIDES

SSF Model



Size	C.D.	A	B	C	D	E	F	G	H	J	K	L	M	N	P	
										56C 180TC 140TC 210TC						
718	1.75	5.50	3.69	4.19	2.75	2.09	1.38	#8-32	2.06	4.69	---	5.75	2.85	6.81	4.31	3.81
721	2.06	6.00	3.81	5.00	2.88	2.50	1.44	#8-32	2.28	5.06	---	6.38	3.22	7.28	4.69	4.34
726	2.62	7.38	4.44	6.38	3.38	3.19	1.69	#10-32	2.94	5.75	6.19	8.00	3.44	8.53	5.63	5.56

Size	R		S	T		U	V		W		X	Y	Z		WEIGHT	
	56C 140TC	180TC 210TC		Tap Size	Dept		+0.001	-0.001	Sq.	Length			+0.0015	-0.0000	Sq.	Length
718	3.31	---	1.42	5/16-18	.50	.875	1.78	3/16	1	1.0000	.60	1/4	1.63	21	32	
721	3.31	---	1.73	3/8-16	.56	1.000	2.09	1/4	1-1/4	1.2500	.63	1/4	1.63	27	39	
726	3.31	4.63	2.62	3/8-16	.56	1.125	2.63	1/4	1-15/16	1.4375	.63	3/8	2.00	46	59	

Hollow Output Shaft Bore Codes

Fraction Size	Output Bore Code	718	721	726	Decimal Size*	Key Size †
5/8	P10	•			0.6250	.18 x .18 x 1.50
1	P16	S	•		1.0000	.25 x .25 x 1.63
1-1/8	P18		•		1.1250	.25 x .25 x 1.63
1-3/16	P19		•	•	1.1875	.25 x .25 x 1.63
1-1/4	P20		S	•	1.2500	.25 x .25 x 1.63
1-7/16	P23		•	S	1.4375	.38 x .31 x 2.00
1-1/2	P24			•	1.5000	.38 x .31 x 2.00
1-15/16	P31			•	1.9375	.50 x .38 x 2.25

* Bore tolerance +.0015-.0000

† Key is provided with reducer to fit hollow shaft. Drive shaft requires standard width and depth keyway

S - Standard Bore
• - Optional Bore

Call Toll Free 888-999-9860