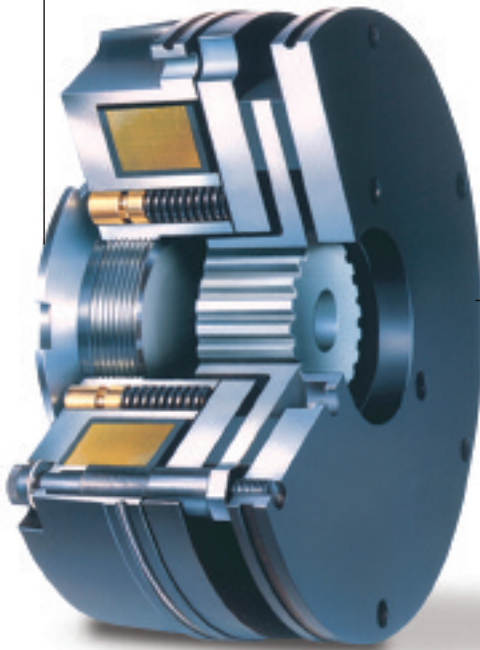




ERD

Electrically Released Forklift Brake



Parking and stopping standard brake

The Electro-Released Dynamic brake (ERD) is a failsafe brake designed for dynamic applications. It is an on/off dry failsafe brake. Torque value is defined for the trucks running at full speed and at full load. With high heat dissipation capabilities and adjusting spacers, it is particularly suitable for trucks which require frequent dynamic braking. The brake coil is encapsulated and is UL class F compliant. Friction material is organic.

Forklift Applications

- Walk Behinds
- Stacker
- Ride on Pallet Truck
- Low Level Order Picker

Warner Electric/Matrix International is a world leader in the design and manufacture of hydraulic, pneumatic and electromagnetic brakes and clutches for battery powered vehicles. We offer a full range of traction motor and load wheel brakes and specialize in customized solutions to meet your specific performance and installation requirements. We have over 60 years of experience delivering high technology, cost effective braking systems. We offer production, engineering and application support from our facilities in Europe, the U.S. and China. Contact us today to discuss how our dedicated engineers can assist you.

- Torque capacities 5 to 300 Nm
- 8 different sizes
- Bi-directional stopping capability
- Spring applied brake
- Fully dynamic braking
- Wear and torque adjustments
- Hand release option
- Dust cover option
- Thick / intermediate / thin flange
- Variety of voltage available

For Technical Assistance Call

800-825-9050

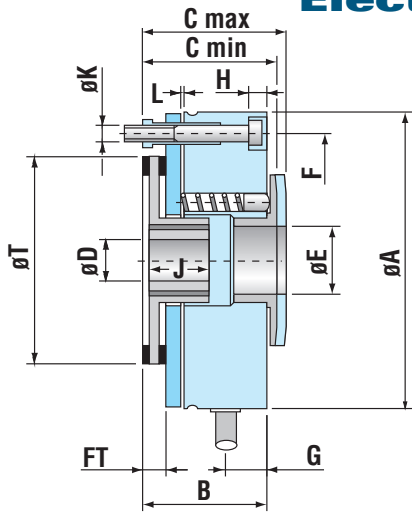


An Altra Industrial Motion Company



ERD

Electrically Released Forklift Brake



Size		005	010	020	035	060	100	170
Nominal torque	[Nm]	5	10	20	35	60	100	170
Max speed	[RPM]	5000	5000	5000	5000	5000	3600	3600
Power (P20) 24 VDC	[W]	20	25	30	39	47	57	66
A	[mm]	84	102	127	147	162	188	215
B	[mm]	35	41	47,5	54,5	64	71	83
C min.	[mm]	38,5	44,5	52	61	70	77	89
C max.	[mm]	40	46,5	55,5	65	74,5	81,5	96
D prebore	[mm]	8	10	10	14	14	15	20
D standard H7	[mm]	10/11	10/14/ 15*	15/20/ 22/24*	20/24/ 25	25/30	25/30/ 35	35/40/ 45
D max*	[mm]	12*	15*	24*	28*	32*	40*	50*
E	[mm]	19	24	35	40	48	52	60
F	[mm]	72	90	112	132	145	170	196
FT	[mm]	6,5	8,2	9,8	11	12	12	14,7
G	[mm]	11,7	14,6	15,5	19,7	19	22	27
H	[mm]	5,1	6,4	5,8	7,3	8,7	11	13
J $0^{+0,2}$	[mm]	18	20	20	25	30	30	35
K	-	3 x M4	3 x M5	3 x M6	3 x M6	3 x M8	3 x M8	6 x M8
L nom.	[mm]	0,2	0,2	0,2	0,3	0,3	0,3	0,3
T	[mm]	60	77	96	116	125	150	174
Weight	[kg]	0,9	1,7	3	4,6	6,4	9,9	15,6
Connection	-	Cable (400 mm)						



Matrix International
 Brechin, Angus • Scotland DD9 7EP
 +44(0) 1356 602000
 E-mail: sales@matrix-international.com



Warner Electric
 449 Gardner Street
 South Beloit, IL 61080 • USA
 800-825-6544
 www.warnerelectric.com



Warner Electric Europe
 B.P. 11095, F-49182
 St Barthelemy d'Anjou Cedex • France
 +33(0)2 41 21 24 24
 www.warnerelectric-eu.com